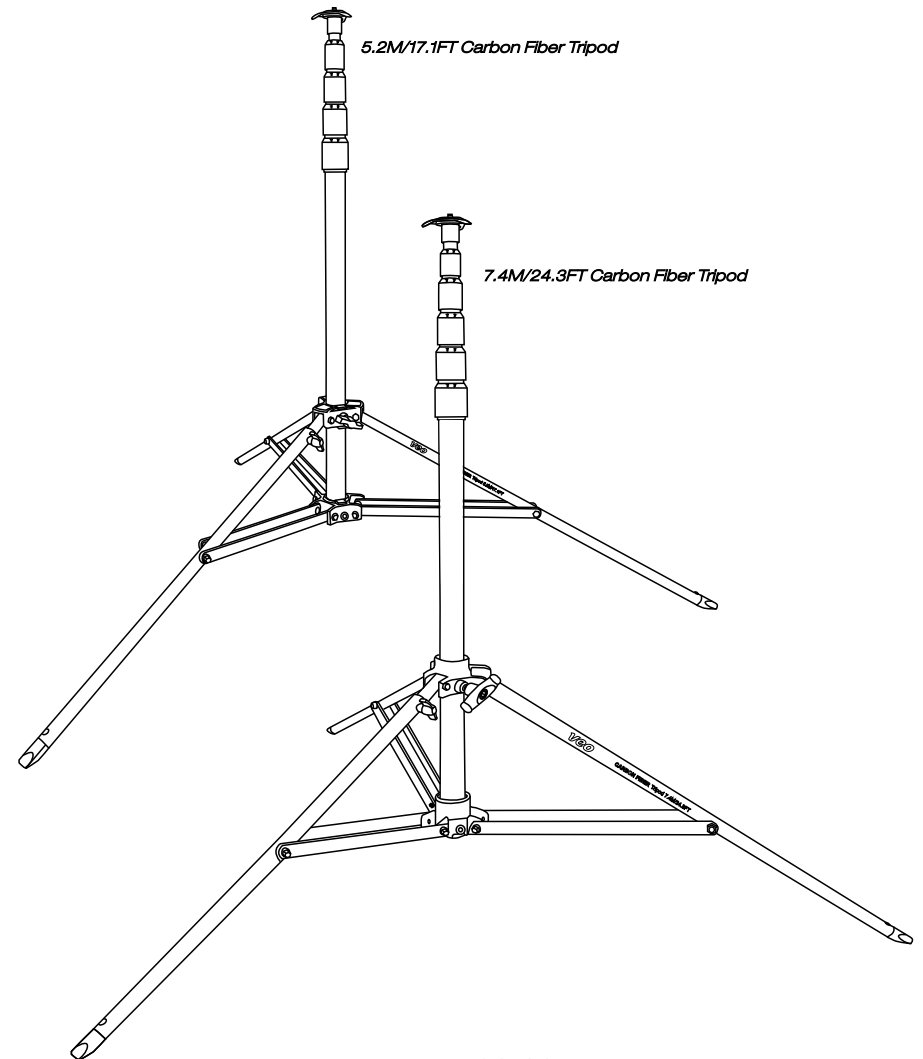


# veo

**5.2M/17.1FT Carbon Fiber Tripod**

**7.4M/24.3FT Carbon Fiber Tripod**



[www.veo.co](http://www.veo.co)

# Contents

Safety Instructions ----- 2

In The Box ----- 3

Technical Data ----- 4

Open The Base ----- 5-6

Height Adjustment ----- 6

Use Levelling Leg ----- 7

Wind Bracing ----- 8

# Safety Instructions

1. Please note that the carbon fiber tripod is only intended for use with the Veo Cam.
2. Please ensure that the tripod is level and secured to the ground before mounting the Veo Cam.
3. Please raise or lower the center column slowly when you adjust the tripod height, to avoid your hand being pinched between the locks.
4. Please pay attention about your fingers when you open the base, to prevent them from being trapped.
5. Please don't move the tripod when the Veo Cam is mounted, and center column raised.
6. During use, please always ensure that all knobs and handles are locked tightly.
7. In an outdoor windy environment, please make sure to install the wind bracing system and sandbags for safe operation of the tripod. Failure to do so may result in the tripod tipping, with the potential risk of personal injury and damage to the tripod and Veo Cam.

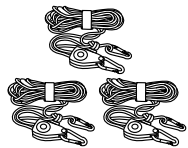
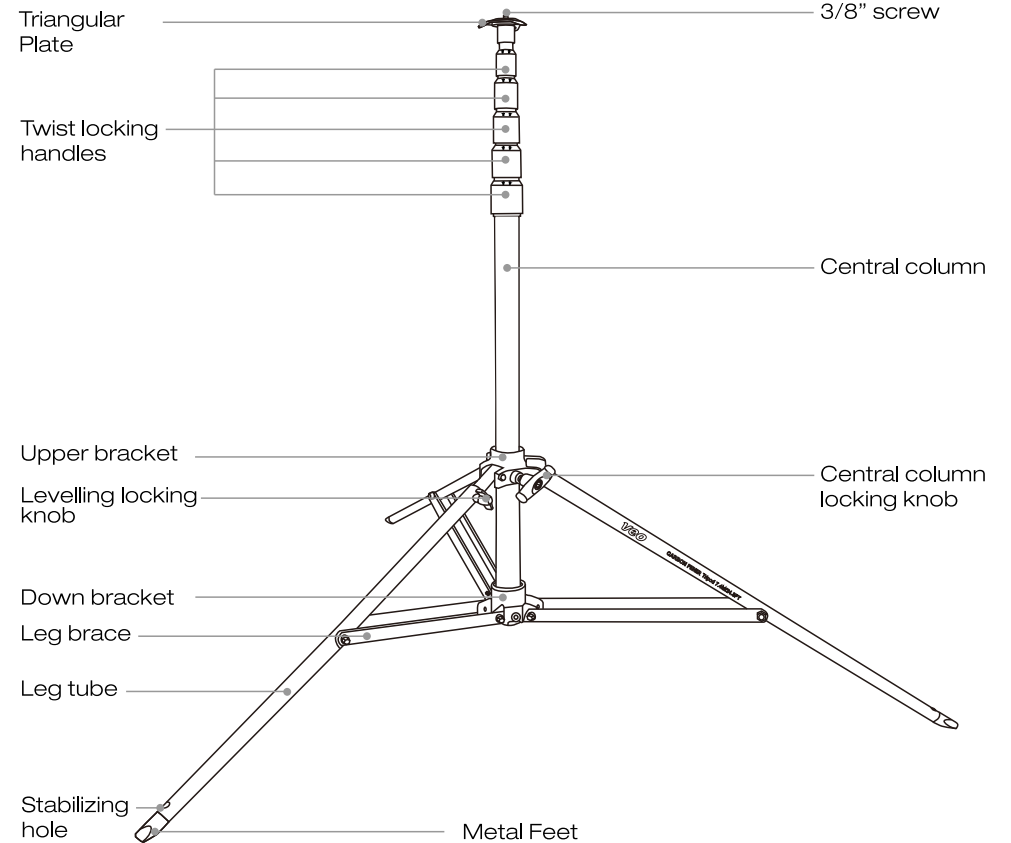
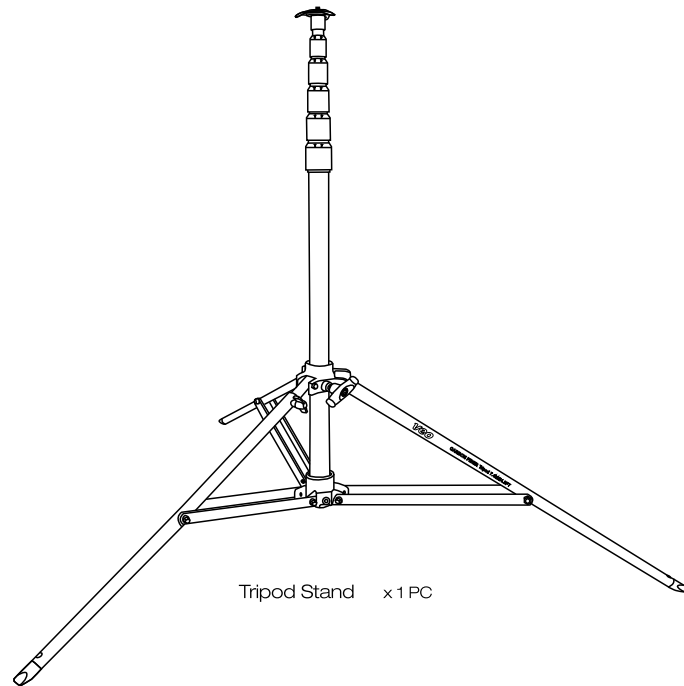
Veo technologies cannot be held responsible for damage to the Veo Cam, tripod or personal Injury, due to improper use of the tripod from not following the above safety instructions.

Scan the QR code to see how it works or to download the camera app.

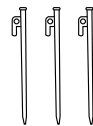


The product packing comes with the following items. In case that any item is found missing, please contact VEO or your local selling agent.

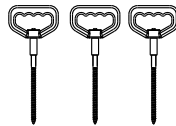
**Carbon Fiber Tripod**



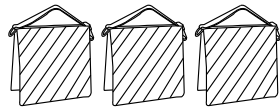
Wind Bracing Cable Kits  
x 3 PCS



Metal Pegs  
x 3 PCS



Stabilizing Pegs  
x 3 PCS



Sandbags  
x 3 PCS



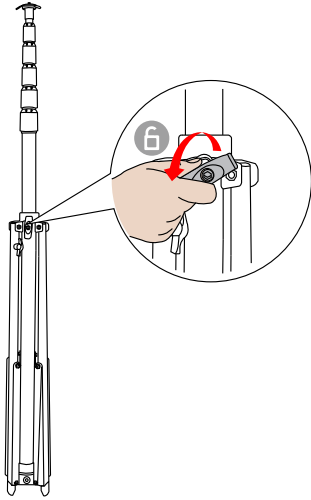
User Guide  
x 1 PC

**Specifications**

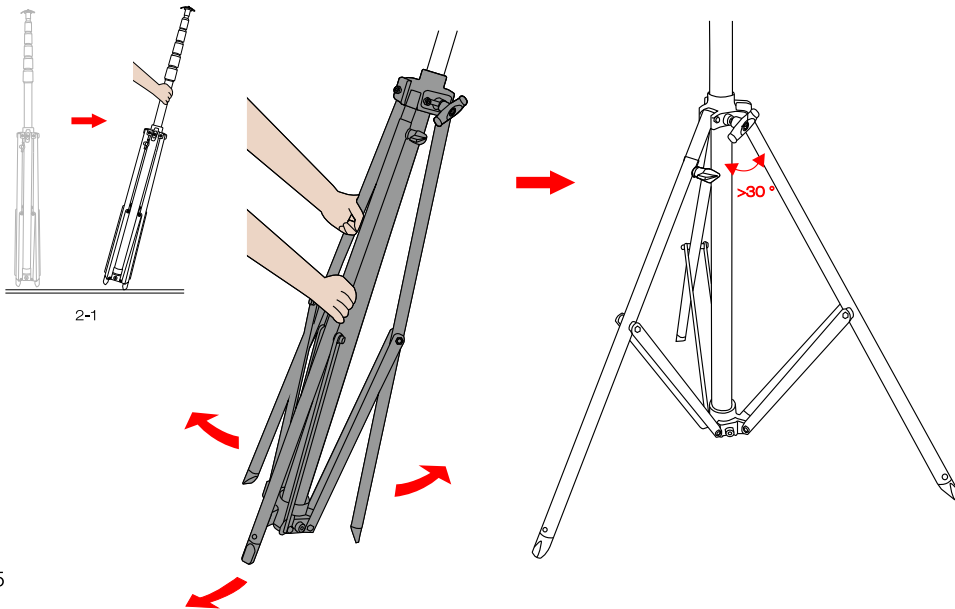
Model	5.2M/17.1FT Carbon Fiber Tripod	7.4M/24.3FT Carbon Fiber Tripod
Folded Height	132cm / 52.0in	161cm / 63.4in
Min.Working Height	147cm / 57.9in	177cm / 69.7in
Max.Working Height	520cm / 204.7in	740cm / 291.4in
Footprint Dia.	170cm / 66.9in	173cm / 68.1in
Tube Dia.	45/40/35/30/25mm / 1.8/1.6/1.4/1.2/1.0in	50/45/40/35/30/25mm / 2.0/1.8/1.6/1.4/1.2/1.0in
Leg Tube Dia.	25mm / 1.0in	30mm / 1.2in
Net Weight	5.7kg / 12.5lb	6.85kg / 15.1lb

## Open the base

- 1 Please loosen the central locking knob on the upper bracket.

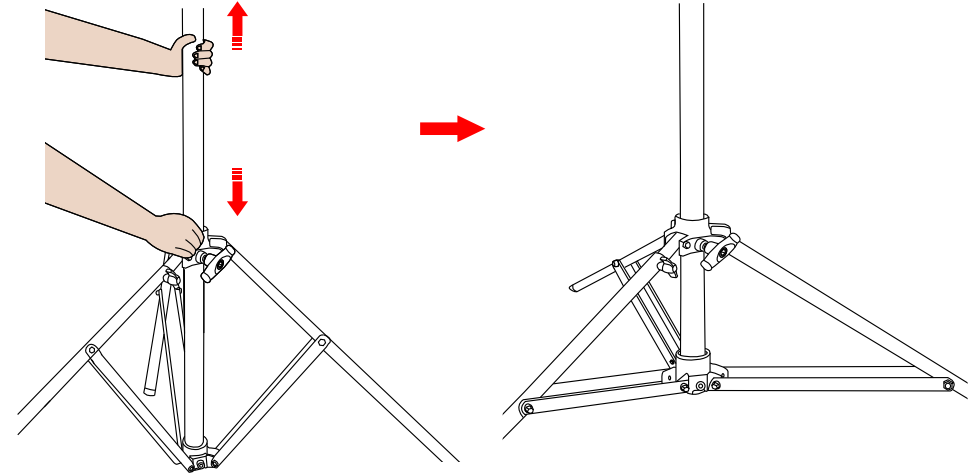


- 2 Keep one leg against the ground, meanwhile hold the other two legs and spreader them (we recommend the open angle more than 30degree).



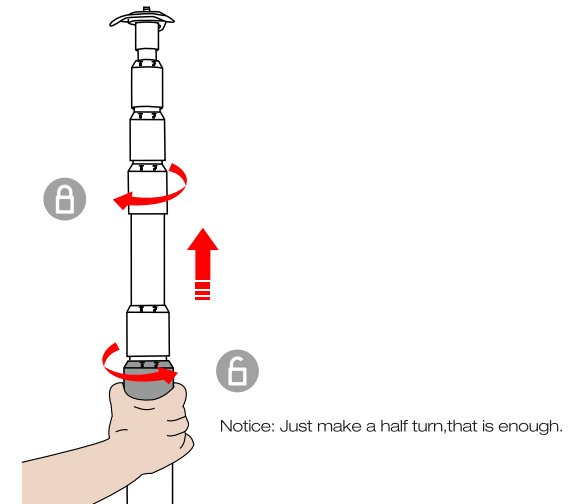
## Open the base

- 3 Press down the upper bracket until the leg brace is parallel to the ground, to reach the max.stability. Then turn the locking knob 1 tightly.



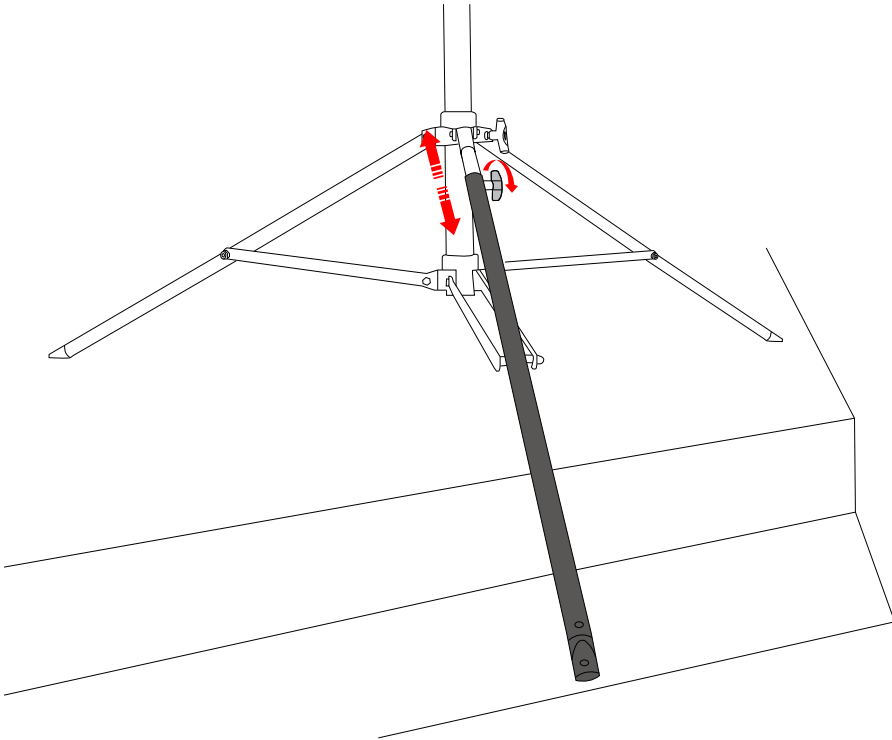
## Height adjustment

- 1 Rotate the twist locking handles anticlockwise to unlock the central column.
- 2 Adjust the central column to the ideal height.
- 3 Rotate the twist locking handles clockwise to lock the central column.



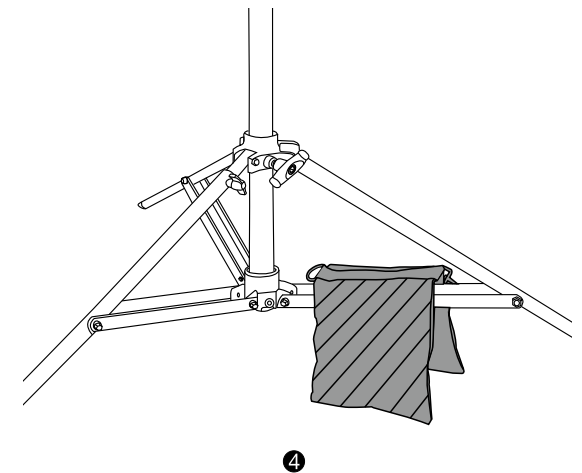
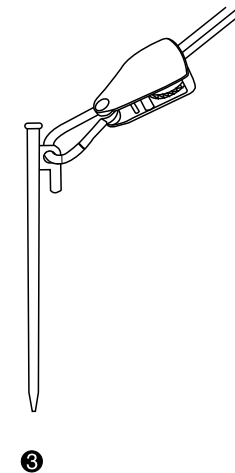
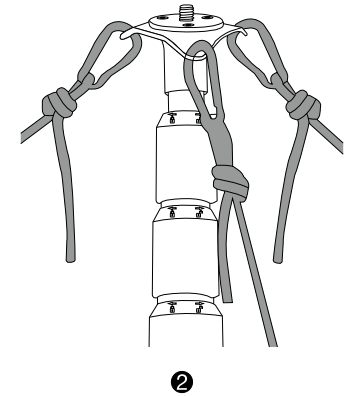
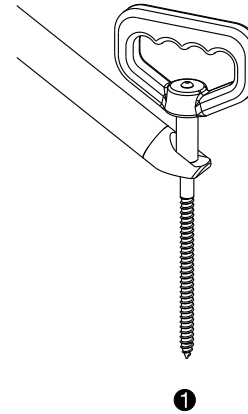
## Use levelling leg

- ❶ Loosen the levelling locking knob on the leg.
- ❷ Extend the leg tube until the stand is in the vertical position.
- ❸ Tighten the levelling locking knob, make sure the stand is levelled.

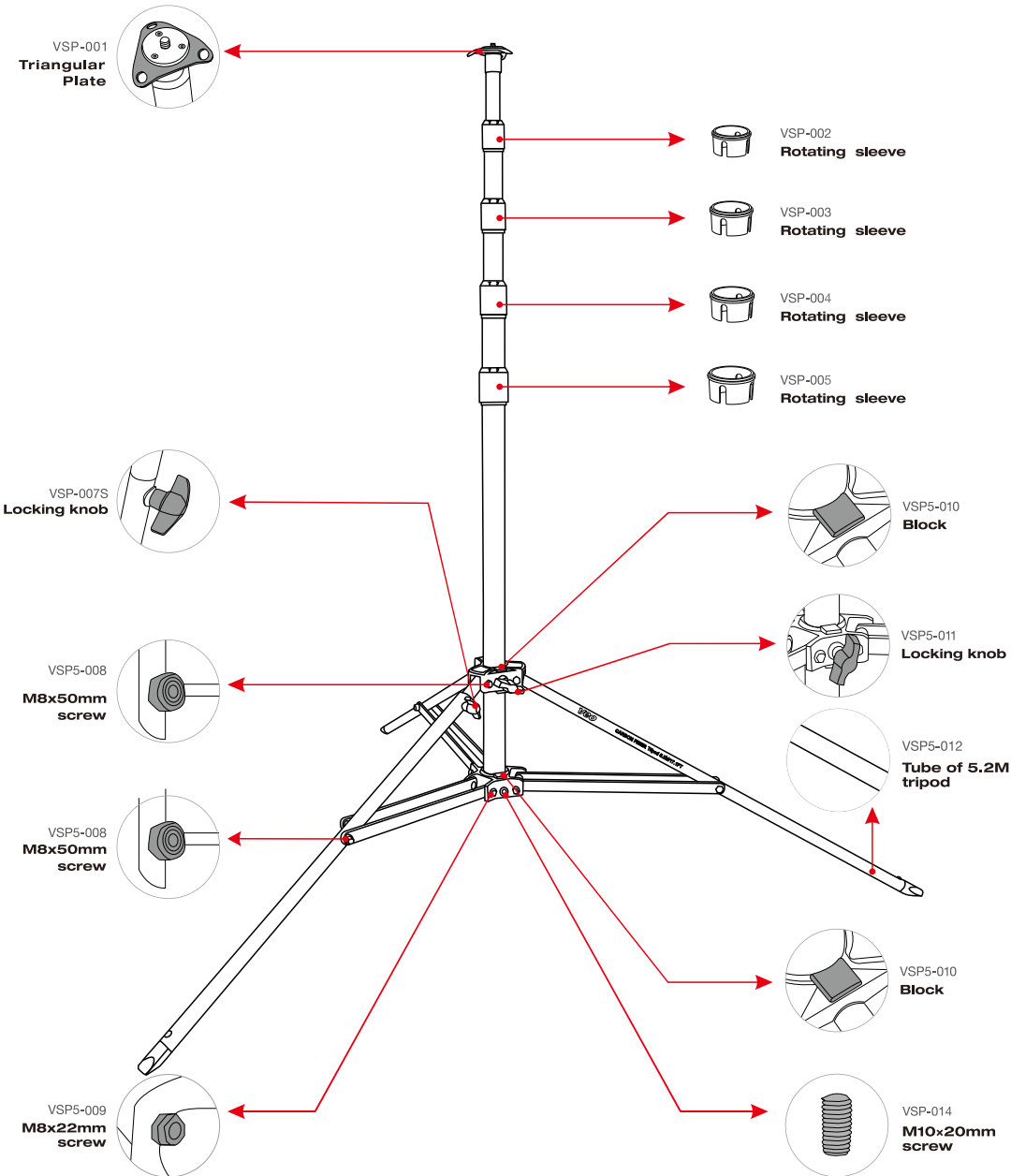


## Wind bracing

- ❶ Screw the stabilizing peg deeply into the ground through the metal hole on each of the feet. Veo recommends that the stabilizing pegs are used even in non-windy conditions for extra security.
- ❷ Hook the wind bracing cable kit to the triangular plate.
- ❸ Hook the wind bracing cable kit to the metal peg. Set the pegs in the ground and strain the cable.
- ❹ Put the sandbag on leg brace to increase stability.



### Spare Parts List of 5.2M/17.1FT Carbon Fiber Tripod



### Spare Parts List of 7.4M/24.3FT Carbon Fiber Tripod

